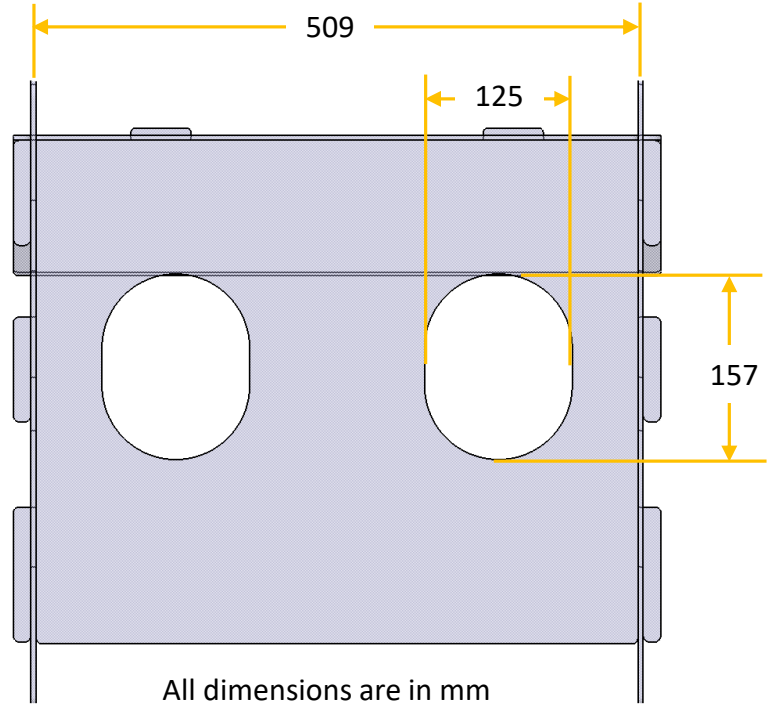
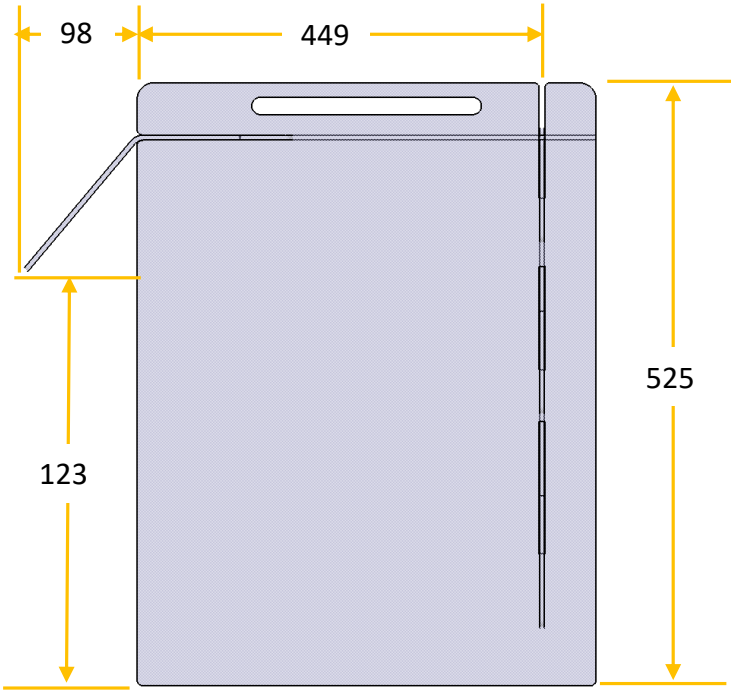


- Material: 4.5mm thick Lexan (polycarbonate)
- Box can be disassembled for easy shipping, storage and cleaning.
- 2 arm holes for access to patient
- Angled wall on rear side to provide some protection for other workers
- Handles on top of ease of moving



All dimensions are in mm

